

Instruction Sheet

Agitators / Suction Tubing Shield

10590 - 10592 Agitators / 25290 - 25292 Agitators / 10458 Suction Tubing Shield

Specifications:

Model	Shaft	Impeller	Volts	Amps	Watts	H.P.
10590	34" S.S.*	303 S.S.*	115 AC 50/60 Hz	1.5	175	1/20
10592	34" S.S.	Neoprene w/Bronze Hub	115 AC 50/60 Hz	1.5	175	1/20
25290	34" S.S.*	303 S.S.*	220-240/50 Hz/DIN Plug	0.75	175	1/20
25292	34" S.S.	Neoprene w/Bronze Hub	220-240/50 Hz/DIN Plug	0.75	175	1/20

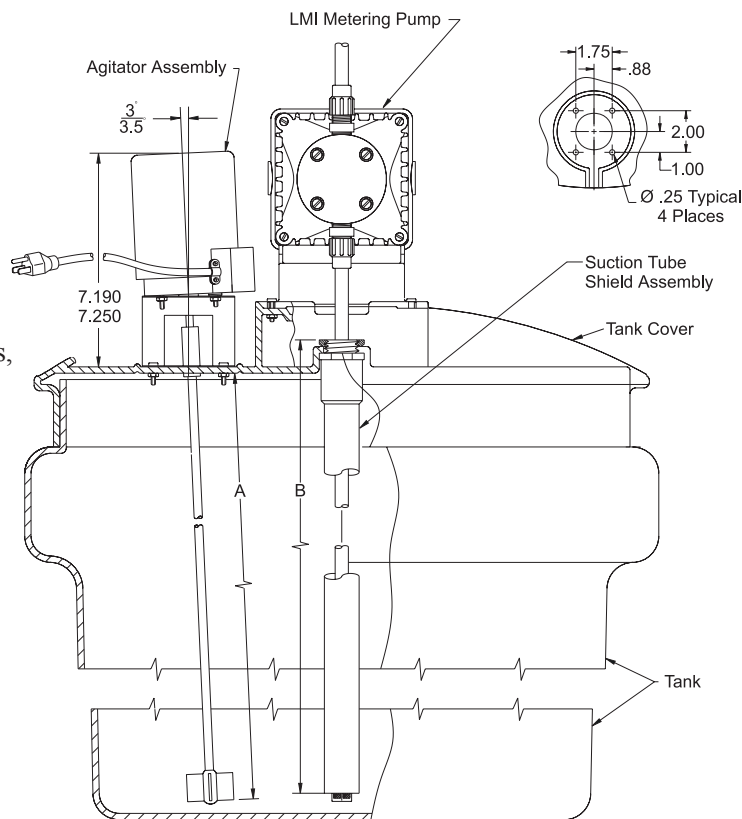
* Shaft and Impeller have corrosion resistant FDA approved black, epoxy coating.

Mounting the Agitator:

- A. With the pump mount indentation on the fiberglass tank cover facing toward (or close to) you, insert the Agitator through the right hand hole in the tank cover. On stainless steel impeller models, tilt Agitator when inserting through the hole.
- B. Making certain that the Agitator shaft is tilted toward the center of the tank, drill four 1/4" diameter holes if necessary, fasten the Agitator to the tank cover by means of the supplied (4) 10-24 nuts, bolts and washers, with washers inside cover.

Agitator Assembly	A	
	Dimensions (Inches)	
10590, 10592 25290, 25292	33.860	33.920

Suction Tube Shield Assembly	B	
	Dimensions (Inches)	
10458	39.0	39.5



See reverse for installation of suction tube shield.



201 Ivyland Road
Ivyland, PA 18974 USA
TEL: (215) 293-0401
FAX: (215) 293-0445
<http://www.lmipumps.com>

27591-34504 Agitators / Suction Tubing Shield Not Required

Specifications:

Model	Shaft	Impeller	Volts	Amps	Watts	H.P.
27591	27" S.S.*	303 S.S.*	115 AC 50/60 Hz	1.5	175	1/20
34504	27" S.S.*	303 S.S.*	220-240/50 Hz/DIN Plug	0.75	175	1/20

* Shaft and Impeller have corrosion resistant FDA approved black, epoxy coating.

Mounting the Agitator:

- Insert the Agitator through the hole on the opposite side of the tank from the pump.
- Drill four 1/4" diameter holes and fasten the Agitator to the tank by means of the supplied (4) 10-24 nuts and bolts. It will be necessary to reach in through the center fill hole to hold the nuts in position.

10458 Suction Tubing Shield Installation

Suction Tubing Protection - To keep the suction tubing from wrapping around the agitator shaft, install suction tube shield assembly.

- Insert the threaded end of the PVC tubing shield into the 1 3/8" hole in front of pump mounting recess in tank cover.
- Thread the 1" NPT nut onto the top portion of the PVC tubing shield extending through the tank top.
- Insert suction tubing through the PVC tubing shield. If the foot valve does not fit because the coupling knob is too big, replace the coupling knob with a modified coupling knob which is packaged with the suction tubing shield.



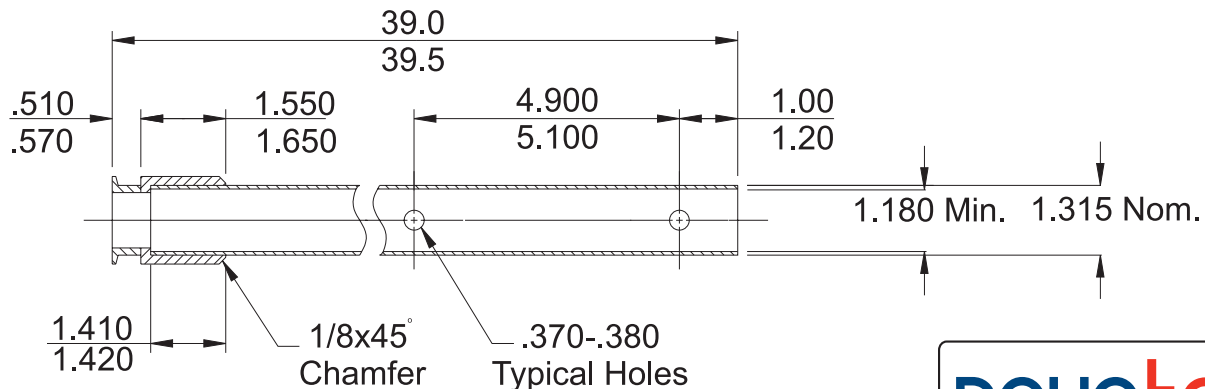
CAUTION:

THE END OF THE SUCTION TUBING SHOULD NEVER EXTEND BEYOND THE BOTTOM OF THE PVC TUBING SHIELD.



- Place cover on tank, mount pump and cut the suction tubing to correct length, making certain that the end of the suction tubing does not extend beyond the bottom of the PVC tubing shield. There should not be sharp bends in the suction tubing which would restrict the suction flow.

Model 10458 (39") Suction tube Shield Assembly



novatech
INTERNATIONAL

sales@novatech-usa.com
www.novatech-usa.com
Tel: (866) 433-6682 Fax: (866) 433-6684
Tel: (281) 359-8538 Fax: (281) 359-0084